

HEAVY DUTY EXCAVATOR

EXTRA WORK, EXTRA STRONG!



HIGH PERFORMANCE
BEST QUALITY ENGINE
HIGH SAFETY

BOMAC EXCAVATORS - For your business offer a variety of benefits such as high efficiency in digging, moving materials, and carrying out heavy work quickly. With modern technology, fuel-efficient consumption, BOMAC helps increase productivity while reducing operational and maintenance costs.

TABBLE OF CONTENT

BME08-CT	4
BME095-CT	6
BE20-AS	8
BE25-AS	10
BE40-AS	12
BE41-CT	14
BE62-9-CT	16
BE62-9E-CT	18
BE84-9-CT	20
BE84-9E-CT	22
BE140-8E-CT	24
BE155-8C-CT	26
BE208-8C-CT	28
BE225-8C-CT	30
BE225-8E-CT	32
BE252-8C-CT	34
BE252-8E-CT	36
BE358-8C-CT	38
BE382-8C-CT	40
BE495-8C-CT	42

BOMAC

エクストラ ワークス エクストラ ストロング

CRAWLER HYDRAULIC EXCAVATOR

Crawler Hydraulic Excavator BME08-CT Mini excavator is more compact and flexible, powerful and reliable. It is widely used in vegetable greenhouses, orchards, nurseries, landscaping, interior decoration and other agricultural, municipal construction and other fields

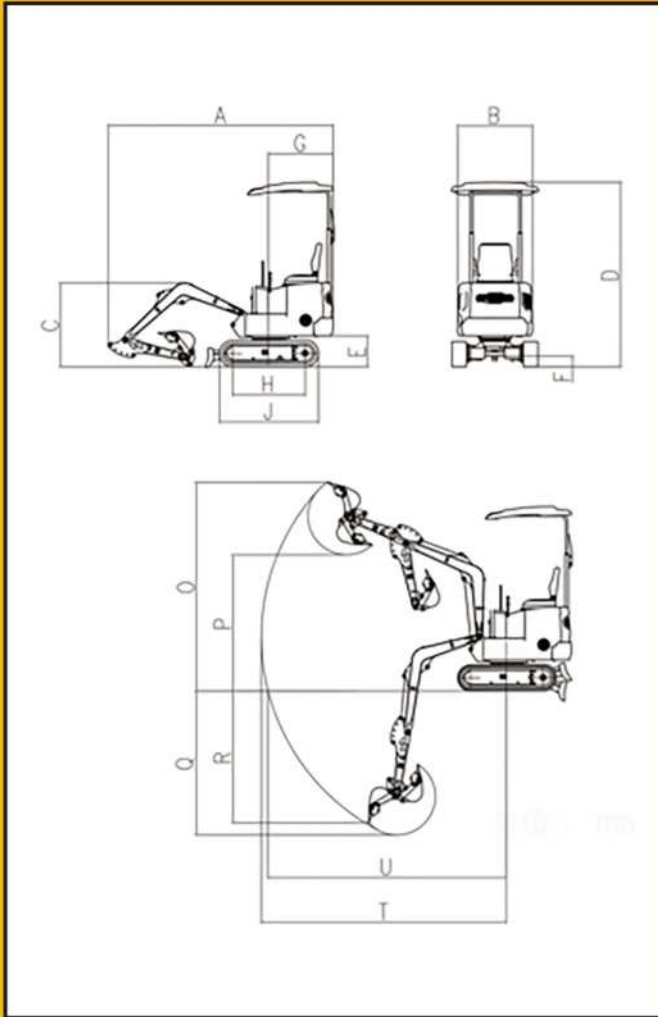
- Adopt engine which meet emission standard or the gasoline engine that meets the EPA3 Euro V emission standards, strong power, stable performance, smooth movement and small vibration.
- External hydraulic oil return filter makes maintenance more convenient.
- Mechanical control handle, simple structure, more reliable performance;
- It can be equipped with rotary drill, crushing hammer, scarifier, ditch digging bucket, sieve bucket, loading bucket, grab and other accessories, with higher added value.

EXTRA WORK, EXTRA STRONG !



Type

BME08-CT



DIMENSION

A- Overall Length	2725
B- Overall Width	730
C- Overall Height (to top of boom)	945
D- Overall Height (to top of driving shed)	1280
E- Counterweight Ground Clearance	325
F- Min. Ground Clearance	92
G- Tail Swing Radius	758
H- Track Grounding Length	875
J- Track Length	1150
K- Track Gauge	580
L- Track Width	730
M- Track Shoe Width	150

WORKING RANGE

Max. Digging Height	2512
Max. Dumping Height	1613
Max. Digging Depth	1000
Max. Vertical Digging Depth	-
Max. Digging Reach	2900
Max. Digging Reach at Ground Level	2860

SPECIFICATION

Operating Weight	0.8 (T)
Engine Model	BOMAC BTWI
Rated Power	7.0/3000 (kw/r/min)
Max. Flow	18 (L/min)
Working Pressure	16 (Mpa)
Travel Speed	1.3 (Km/h)
Swing Speed	13 (r/min)
Bucket Capacity	0.016 (m ³)
Fuel Tank Capacity	5.4 (L)
Hydraulic Oil Tank Cap.	24 (L)
Max. Gradeability	35%/18°
Ground Pressure	26 (Kpa)
Arm Digging Force	5.2 (KN)
Bucket Digging Force	8.4 (KN)



BEST
PERFORMANCE



BEST QUALITY
ENGINE



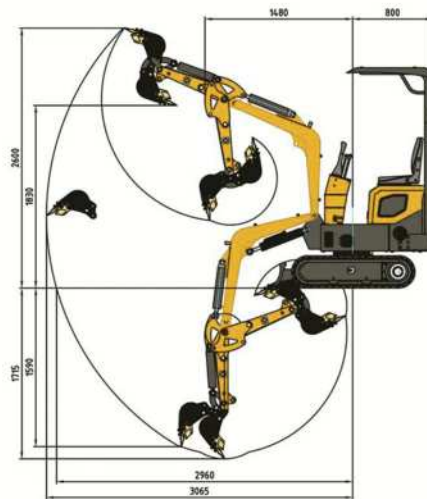
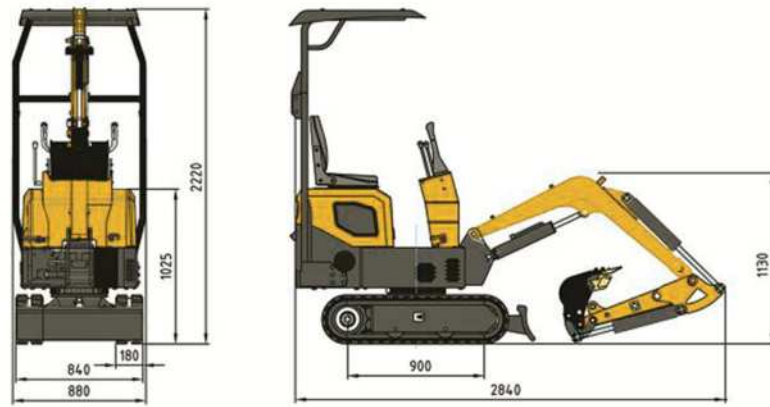
HIGHT
SAFETY

Product Feature and Advantage

1. Small size and easy to transport, could be loaded onto light truck or small trailer, six sets could be loaded into one 20GP container to save freight cost.
2. Famous brand hydraulic system parts ensure the stable quality.
3. Boom deflection design meet narrow work condition, reinforced rubber track to protect road.
4. Extend hydraulic line for various attachments.
5. Comfort seat make operator easy to work.
6. Could be widely used in gardening, orchard, farming, basement reconstruction, waste residue carrying in coal washing factory, papermaking factory etc. and could replace 4~5 manpower.

HYDRAULIC SYSTEM

Hydraulic system working pressure	16 Mpa
Hydraulic Pump	Gear Pump
Hydraulic pump flow	18 L/min
Fuel Tank Capacity	26 L
Hydraulic Tank Capacity	14.5L in Hydraulic tank 21.5L in Hydraulic system



OVERALL DIMENSION

Overall Length	2840 mm
Overall Width	880 mm
Overall Height	2200 mm
Counterweight Ground clearance	385 mm
Axle Base	900 mm
Track width	180 mm
Undercarriage width	840 mm
Undercarriage ground clearance	132 mm

OPERATION PARAMETERS

Operation Weight	950 Kg
Bucket Capacity	0.023 m ³
Max. Digging Radius	3065 mm
Max. Digging Depth	1715 mm
Max. Digging Height	2600 mm
Max. Dumping Height	1830 mm
Tail Swing Radius	800 mm

MAIN PERFORMANCE

Swing Speed	0-13 r/min
Traveling Speed	2 km/H
Grade ability	30° %
Traveling Tracking Force	8.3 kN
Bucket Digging Force	7.2 kN
Arm Digging Force	4.6 kN

ENGINE

Model	BOMAC BTK1
Type	Direct injection, wind cooled, natural intake
No. of cylinder	1

**EXTRA WORK,
EXTRA STRONG !**

CRAWLER EXCAVATOR

BOMAC
エクストラ ワークス エクストラ ストロング

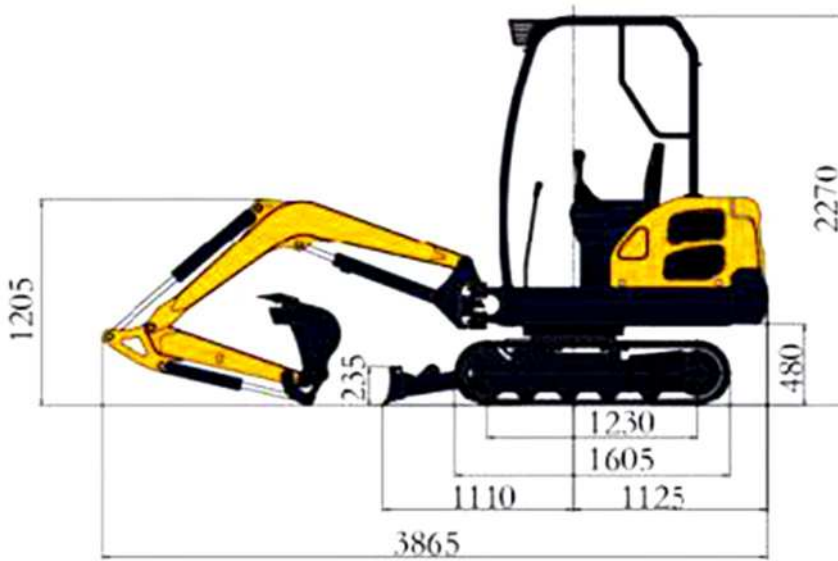
Type

BE20-AS



Product Feature and Advantage

1. Small size and easy to transport, could be loaded onto light truck or small trailer, four sets could be loaded into one 20GP container to save freight cost. 4unit/20 feet container, 8 units /40 container.
2. Special design on separating engine and radiation space, using enhanced cooling fan to increase cooling efficiency.
3. Famous brand hydraulic system parts ensure the stable quality.
4. Equipped with double fuel filter to guarantee fuel purity to protect engine.
5. Boom deflection design meet narrow work condition, reinforced rubber track to protect road.
6. Extend hydraulic line for various attachments.
7. Comfort seat make operator easy to work.
8. Cabin with heater is optional.
9. Could be widely used in gardening, orchard, farming, basement reconstruction, waste residue carrying in coal washing factory, papermaking factory etc. and could replace 4~5 manpower.

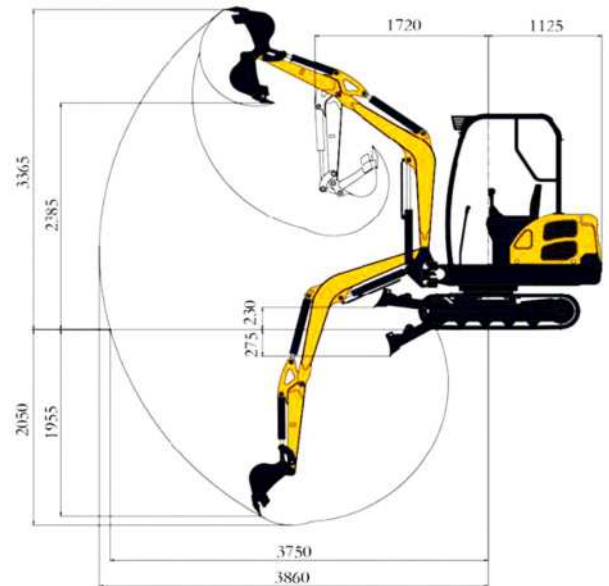


OVERALL DIMENSION

Overall Length	3800 mm
Overall Width	1050 mm
Overall Height	2280 mm
Ground clearance	485 mm
Track length	1630 mm
Track width	230 mm
Undercarriage width	1050 mm
Undercarriage ground clearance	235 mm
Dozer Blade	1050×240 mm

OPERATION PARAMETERS

Operation Weight	2000 Kg
Bucket Capacity	0.06 m ³
Max. Digging Radius	3860 mm
Max. Digging Depth	2050 mm
Max. Digging Height	3370 mm
Max. Dumping Height	2390 mm
Max. Dozer Cutting	270 mm
Max. Dozer Lifting	235 mm
Boom Deflexion (Left/Right)	75/45°
Tail Swing Radius	1125 mm
Front Min. Swing Radius	1720 mm



MAIN PERFORMANCE

Swing Speed	10-12 r/min
Traveling Speed	2.8 km/H
Grade ability	70(35°) %
Traveling Tracking Force	15 kN
Bucket Digging Force	11.5 kN
Arm Digging Force	9.3 kN

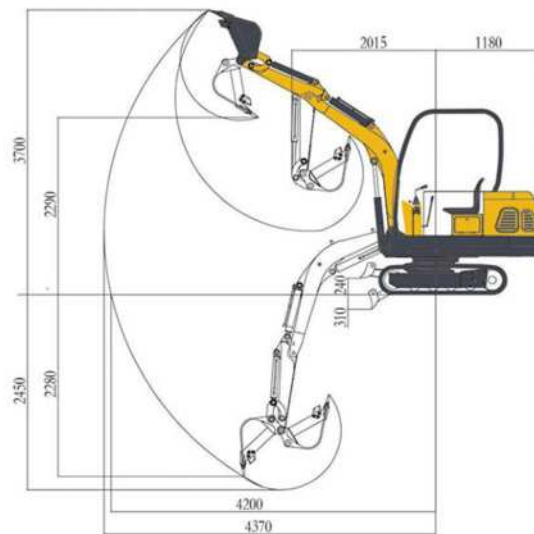
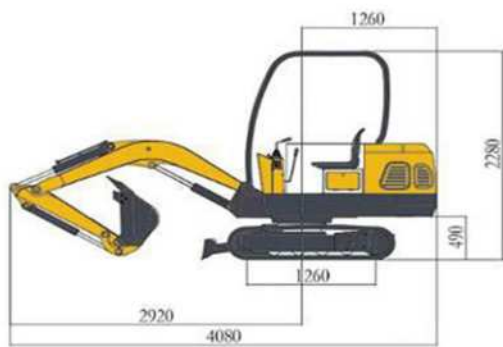
ENGINE

Model	BOMAC BTL3-25
Type	Electronic injection, water cooled, natural intake
No. of cylinder	3



Product Feature and Advantage

1. Small size and easy to transport, could be loaded onto light truck or small trailer, two sets could be loaded into one 20GP container to save freight cost.
2. Special design on separating engine and radiation space, using enhanced cooling fan to increase cooling efficiency.
3. Famous brand hydraulic system parts ensure the stable quality.
4. Equipped with double fuel filter to guarantee fuel purity to protect engine.
5. Boom deflection design meet narrow work condition, reinforced rubber track to protect road.
6. Extend hydraulic line for various attachments.
7. Comfort seat make operator easy to work.
8. It's a update version of JH18 and also could be widely used in gardening, orchard, farming, basement reconstruction, waste residue carrying in coal washing factory, papermaking factory etc. and could replace 4-5 manpower.



OVERALL DIMENSION

Overall Length	4080 mm
Overall Width	1300 mm
Overall Height	2280 mm
Ground clearance	490 mm
Track length	1630 mm
Track width	250 mm
Undercarriage width	1270 mm
Undercarriage ground clearance	235 mm
Dozer Blade	1270× 240 mm

OPERATION PARAMETERS

Operation Weight	2500 Kg
Bucket Capacity	0.1 m ³
Max. Digging Radius	4370 mm
Max. Digging Depth	2450 mm
Max. Digging Height	2290 mm
Max. Dumping Height	3700 mm
Max. Dozer Cutting	310 mm
Max. Dozer Lifting	240 mm
Boom Deflexion (Left/Right)	70/50 °
Tail Swing Radius	1180 mm
Front Min. Swing Radius	2020 mm

HYDRAULIC SYSTEM

Working pressure	16 Mpa
Hydraulic Pump	AHWY Gear Pump
Hydraulic pump flow	2×12+5 L/min
Swing Motor	Eaton
Traveling Motor	Eaton
Fuel Tank Capacity	26 L
Hydraulic Tank Capacity	27 L

MAIN PERFORMANCE

Swing Speed	12-14 r/min
Traveling Speed	2.8 km/H
Grade ability	70 (35°) %
Traveling Tracking Force	15 kN
Bucket Digging Force	11.5 kN
Arm Digging Force	9.3 kN

ENGINE

Model	BOMAC BTL3-30
Type	Electronic injection, water cooled, natural intake
No. of cylinder	3

BOMAC

エクストラ ワークス エクストラ ストロング

HEAVY DUTY

EXCAVATOR

Type

BE40-AS

Overall Length	4600mm
Overall Width	1700mm
Overall Height	2400mm
Track Length	2175mm
Track Width	300mm

**EXTRA WORK,
EXTRA STRONG !**



**BEST
PERFORMANCE**



**BEST QUALITY
ENGINE**



OVERALL SIZE

Overall Length	4600 mm
Overall Width	1700 mm
Overall Height	2400 mm
Platform turning radius	1170 mm
Track Length	2175 mm
Track Width	300 mm
Gauge	1620 mm
Boom Length	2350 mm
Arm Length	1230 mm
Min Ground Clearance	260 mm
Platform Width	1550 mm
Engine Hood Height	1300 mm
Platform Height Above Ground	570 mm

MACHINE PARAMETERS

Machine Weight	4000 Kg
Bucket Capacity	0.2 m ³
Bucket Width	600 mm
Rated Power	34 KW
Rated Rotary speed of Engine	2400 r/min
Hydraulic Pressure	22 MPa
Max. Grade	35°
Ground Pressure	34.8 kpa
Max. Travel Speed	2.7/4.6 Km/h
Max. Digging Force	26 KN
Rotary Speed	9-11 rmp

WORKING RANGE

Max. Digging Height	4500 mm
Max. Dumping Height	3050 mm
Max. Digging Depth	3100 mm
Max. Sinking Depth of Bulldozer	270 mm
Max. Digging Radius	4730 mm
Min. Radius of Gyration	1820 mm
Max. Lifting Height of Bulldozer	350 mm

MACHINE CONFIGURE

Model No.	SD40B
Engine Model	BOMAC BTC4
Motors	Imported motors
Pump	Variable piston pump

BOMAC
エクストラ ワークス エクストラ ストロング

Type

BE41-CT

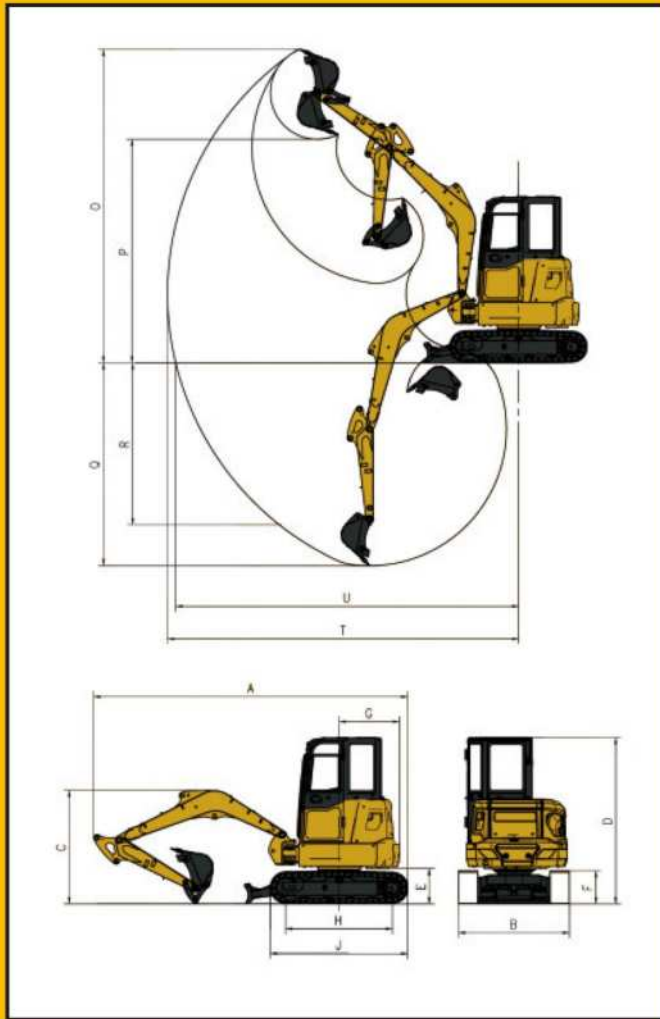
HYDRAULIC EXCAVATOR



**EXTRA WORK,
EXTRA STRONG !**

Efficient, Reliable, and Comfortable Performance

Designed for energy conservation, reliability, and flexible operation, this machine features an advanced operator cab for superior comfort. Powered by a Yanmar Euro V, EPA4-compliant engine, it ensures optimal performance with lower fuel consumption. The swing boom design enhances flexibility and efficiency, while the load-sensitive hydraulic system provides smooth, precise control. A zero-tail design allows for seamless operation in tight spaces, and built-in air conditioning ensures operator convenience in any environment.



DIMENSION

mm

A- Overall Length	4920
B- Overall Width	1720
C- Overall Height (to top of boom)	1800.0
D- Overall Height (to top of cab)	2550/2520
E- Counterweight Ground Clearance	580.0
F- Min. Ground Clearance	295
G- Tail Swing Radius	860.0
H- Track Grounding Length	1710
J- Track Length	2160.0
K- Track Gauge	1420
L- Track Width	1710.0
M- Track Shoe Width	300

WORKING RANGE

mm

O- Max. Digging Height	4855
P- Max. Dumping Height	3460.0
Q- Max. Digging Depth	3105
R- Max. Vertical Digging Depth	2700.0
T- Max. Digging Reach	5465
U- Max. Digging Reach at Ground Level	5350.0

SPECIFICATION

Operating Weight	3.75 (T)
Bucket Capacity	0.12 (m ³)
Engine Model	YANMAR 3TNV88F
Rated Power	18.2/2200 (KW/r/min)
Max. Flow	88 (L/min)
Working Pressure	24.5 (Mpa)
Fuel Tank Capacity	50 (L)
Hydraulic Oil Tank Cap.	40 (L)
Travel Speed	2.2/4.2 (km/h)
Swing Speed	9.5 (r/min)
Max. Climbing Degree	58%
Arm Digging Force	18.2 (KN)
Bucket Digging Force	30.4 (KN)
Average Grounding Pressure	32.0 (Kpa)

CRAWLER HYDRAULIC EXCAVATOR

Type

BE62-9-CT



**BEST
PERFORMANCE**



**BEST QUALITY
ENGINE**



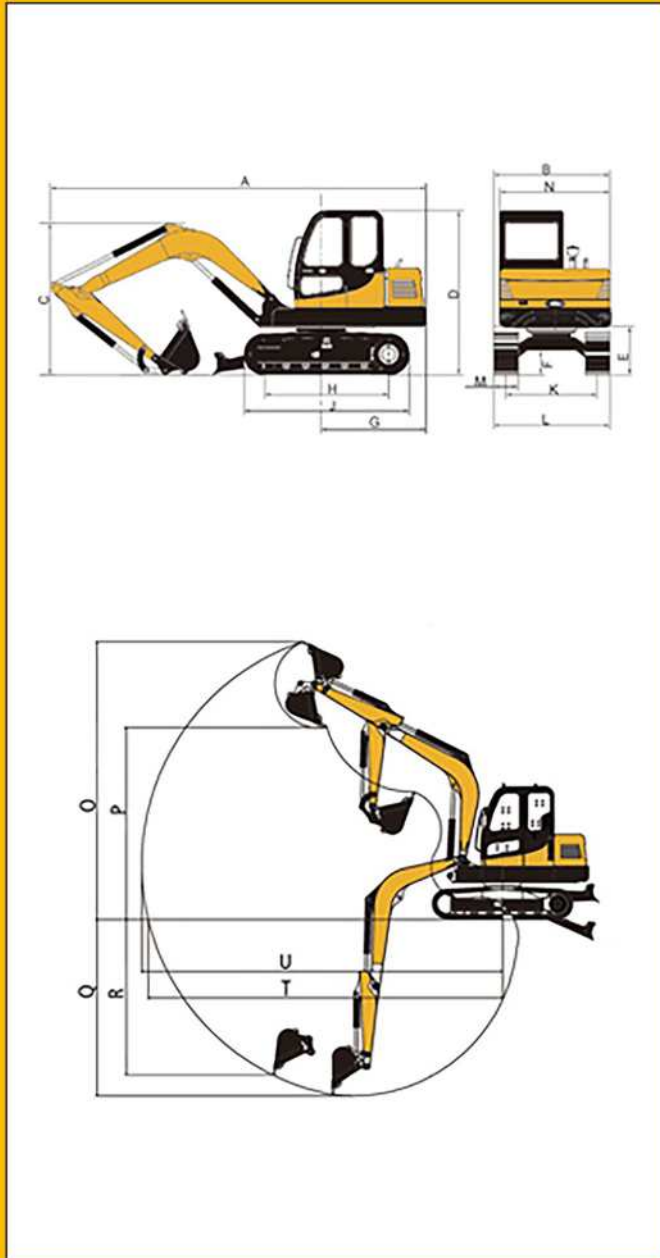
**HIGHT
SAFETY**

**EXTRA WORK,
EXTRA STRONG !**



As a 6 ton level mode for multi-working conditions, **BE62-9-CT** integrates energy conservation, reliability and comfort, which has flexible operation, low noise and small vibration, and is widely used in scenes such as construction sites, municipal construction, farmland reconstruction, garden engineering, pipeline laying and the others.

- Equipped with Original Imported **JAPAN YANMAR ENGINE**, The engine has low speed and large torque with low fuel consumption, high operating efficiency and reliability and durability.
- Equipped with Imported **JAPAN KYB Pump**. The whole machine has lower energy consumption, faster response speed and more precise control.
- Fuel system can be divided into three stages of filtration. Two stages of oil water separator and one stage of fine filtration have high efficiency and good oil adaptability. More Durable Engine.
- High strength rotary platform makes strong impact resistance.
- Equipped with mature track idler, carrier roller, track roller, drive gear and track, which makes high bearing capacity, good wear resistance and high reliability.
- Full Vision Cab, It uses fully tempering glass on front windshield and equips with skylight, which is spacious and bright and makes a wider vision.
- The filters are centrally placed in the engine hood, which is convenient and quick to maintain.



DIMENSION

mm

A- Overall Length	5943
B- Overall Width	2000
C- Overall Height (to top of boom)	1995
D- Overall Height (to top of cab)	2619
E- Counterweight Ground Clearance	740
F- Min. Ground Clearance	360
G- Tail Swing Radius	1745
H- Track Grounding Length	2000
J- Track Length	2665
K- Track Gauge	1600
L- Track Width	2000
M- Track Shoe Width	400
N- Revolving Frame Width	1790

WORKING RANGE

mm

O- Max. Digging Height	5889
P- Max. Dumping Height	4201
Q- Max. Digging Depth	3812
R- Max. Vertical Digging Depth	3008
T- Max. Digging Reach	6257
U- Max. Digging Reach at Ground Level	6102
V- Min. Swing Radius	2585
X- Distance from Swing Center to Tail	1745
Z- Height of Counterweight	1062
A1- Ground Length (in transportation)	3375

SPECIFICATION

Operating Weight	6.2 (T)	Travel Motor	KYB MAG33VP
Bucket Capacity	0.22 (m ³)	Fuel Tank Capacity	125 (L)
Engine Model	YANMAR 4TNV94L	Hydraulic Oil Tank Cap.	100 (L)
Rated Power	36.2/2100 (kw/r/min)	Travel Speed	2.5/4.0 (km/h)
Hydraulic Pump Model	KYB PSVD2	Swing Speed	10 (r/min)
Max. Flow	160 (L/min)	Max. Gradeability	70%
Working Pressure	24.5 (Mpa)	Arm Digging Force	26.1 (KN)
Main Valve	KYB KVSE-72	Bucket Digging Force	36.7 (KN)
Swing Motor	KYB MSG-27P	Ground Pressure	34 (Kpa)

CRAWLER HYDRAULIC EXCAVATOR

Type

BE62-9E-CT



BEST
PERFORMANCE



BEST QUALITY
ENGINE



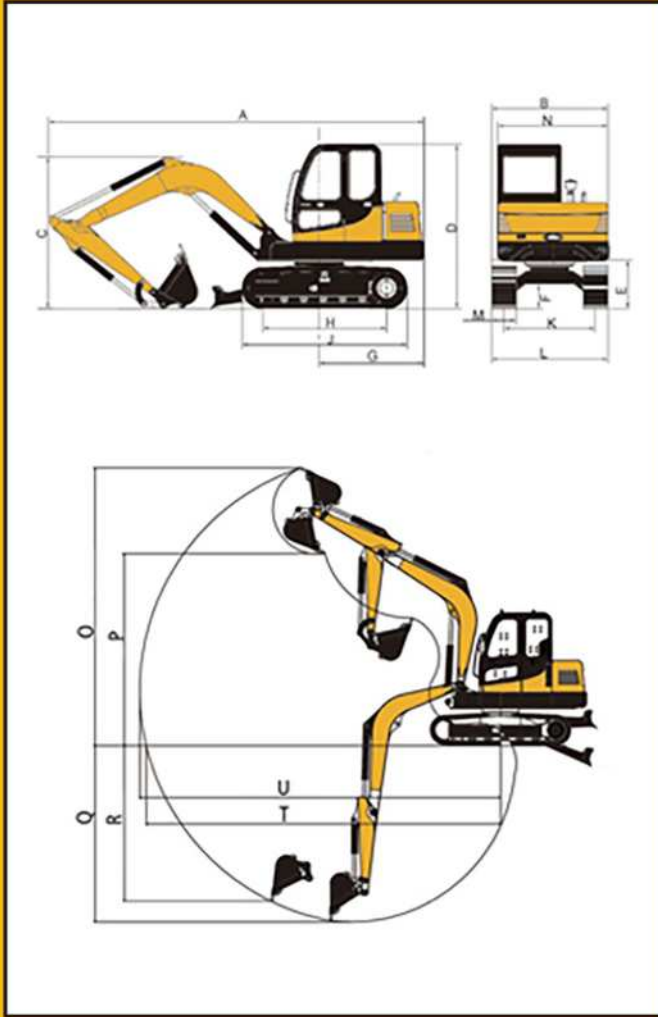
HIGHT
SAFETY

**EXTRA WORK,
EXTRA STRONG !**



As a 6 ton level mode for multi-working conditions, **BE62-9E-CT** integrates energy conservation, reliability and comfort, which has flexible operation, low noise and small vibration, and is widely used in scenes such as construction sites, municipal construction, farmland reconstruction, garden engineering, pipeline laying and the others.

- Equipped with Original Imported **JAPAN YANMAR ENGINE**, The engine has low speed and large torque with low fuel consumption, high operating efficiency and reliability and durability.
- Equipped with Imported **GERMANY INLINE PUMP**. The whole machine has lower energy consumption, faster response speed and more precise control.
- Fuel system can be divided into three stages of filtration. Two stages of oil water separator and one stage of fine filtration have high efficiency and good oil adaptability. More Durable Engine:
- High strength rotary platform makes strong impact resistance.
- Equipped with mature track idler, carrier roller, track roller, drive gear and track, which makes high bearing capacity, good wear resistance and high reliability.
- Full Vision Cab, It uses fully tempering glass on front windshield and equips with skylight, which is spacious and bright and makes a wider vision.
- The filters are centrally placed in the engine hood, which is convenient and quick to maintain.



DIMENSION

mm

A- Overall Length	5943
B- Overall Width	2000
C- Overall Height (to top of boom)	1995
D- Overall Height (to top of cab)	2619
E- Counterweight Ground Clearance	740
F- Min. Ground Clearance	360
G- Tail Swing Radius	1745
H- Track Grounding Length	2000
J- Track Length	2665
K- Track Gauge	1600
L- Track Width	2000
M- Track Shoe Width	400

WORKING RANGE

mm

O- Max. Digging Height	5889
P- Max. Dumping Height	4150
Q- Max. Digging Depth	3812
R- Max. Vertical Digging Depth	3008
T- Max. Digging Reach	6257
U- Max. Digging Reach at Ground Level	6102

SPECIFICATION

Operating Weight	6.2 (T)
Bucket Capacity	0.22 (m ³)
Engine Model	YANMAR XSNVA
Rated Power	36.2/2100 kw/r/min)
Max. flow	159.6 (L/min)
Working Pressure	23.8 (Mpa)
Travel Speed	2.4/3.9 (Km/h)
Swing Speed	11.5 (r/min)
Fuel Tank Capacity	125 (L)
Hydraulic Oil Tank Cap.	110 (L)
Max. Gradeability	70%/35°
Ground Pressure	36 (Kpa)
Arm Digging Force	24 (KN)
Bucket Digging Force	31 (KN)

CRAWLER HYDRAULIC EXCAVATOR

Type

BE84-9-CT



**BEST
PERFORMANCE**



**BEST QUALITY
ENGINE**

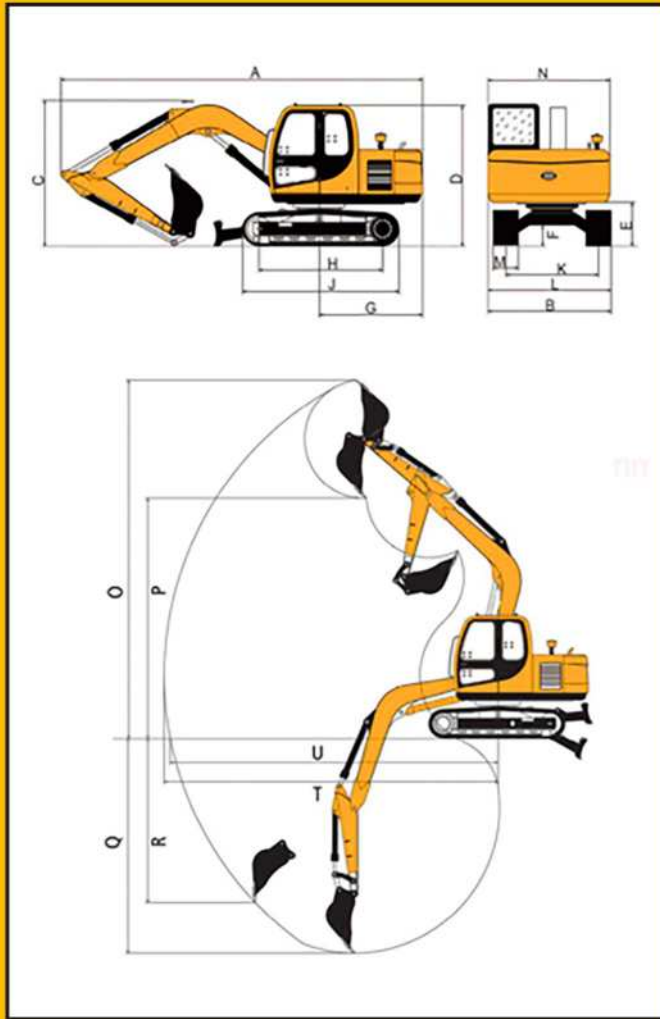


**HIGHT
SAFETY**

**EXTRA WORK,
EXTRA STRONG !**

BE84-9-CT mainly engaged in excavation, load and unload, landfill, crush, land smooth of loose soil, sand, coal, garbage and other materials. It is widely used in scenes such as mines, construction sites, underground mining, garden engineering, municipal and urban construction and the others.

- Equipped with **JAPAN YANMAR ENGINE**, in line with the country's III emission standards. The engine has low speed and large torque with low fuel consumption, high operating efficiency and reliability and durability.
- Equipped with hydraulic components of world famous brand, which has more sensitive operation and control, more stable system performance and higher reliability.
- Fuel system can be divided into three stages of filtration. Two stages of oil water separator and one stage of fine filtration have high efficiency and good oil adaptability.
- High strength rotary platform makes strong impact resistance.
- Equipped with mature track idler, carrier roller, track roller, drive gear and track, which makes high bearing capacity, good wear resistance and high reliability.
- Full Vision Cab, It uses fully tempering glass on front windshield and equips with skylight, which is spacious and bright and makes a wider vision.
- The filters are centrally placed in the engine hood, which is convenient and quick to maintain.



DIMENSION

mm

A- Overall Length	6245
B- Overall Width	2250
C- Overall Height (to top of boom)	2500
D- Overall Height (to top of cab)	2600
E- Counterweight Ground Clearance	820
F- Min. Ground Clearance	403
G- Tail Swing Radius	1870
H- Track Grounding Length	2200
J- Track Length	2785
K- Track Gauge	1800
L- Track Width	2250
M- Track Shoe Width	450

WORKING RANGE

mm

O- Max. Digging Height	7130
P- Max. Dumping Height	5010
Q- Max. Digging Depth	4020
R- Max. Vertical Digging Depth	3310
T- Max. Digging Reach	6385
U- Max. Digging Reach at Ground Level	6245

SPECIFICATION

Operating Weight	8.4 (T)
Bucket Capacity	0.34 (m ³)
Engine Model	YANMAR 4TNV98T
Rated Power	56.5/2200 (kw/r/min)
Max. Flow	79.2*2 (L/min)
Working Pressure	27.5 (Mpa)
Travel Speed	3.6/5.3 (Km/h)
Swing Speed	11 (r/min)
Fuel Tank Capacity	135 (L)
Hydraulic Oil Tank Cap.	130 (L)
Max. Gradeability	70%/35°
Ground Pressure	39 (Kpa)
Arm Digging Force	38 (KN)
Bucket Digging Force	56 (KN)

CRAWLER HYDRAULIC EXCAVATOR

Type

BE84-9E-CT



**BEST
PERFORMANCE**



**BEST QUALITY
ENGINE**

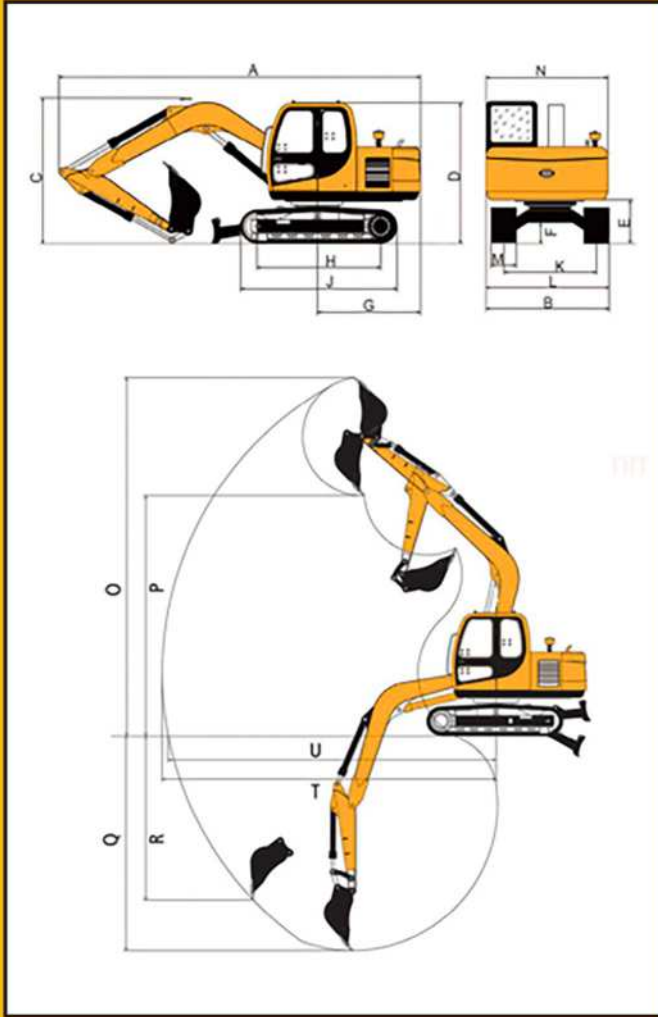


**HIGHT
SAFETY**

**EXTRA WORK,
EXTRA STRONG !**

BE84-9E-CT mainly engaged in excavation, load and unload, landfill, crush, land smooth of loose soil, sand, coal, garbage and other materials. It is widely used in scenes such as mines, construction sites, underground mining, garden engineering, municipal and urban construction and the others.

- Equipped with **JAPAN YANMAR ENGINE**, in line with the country's III emission standards. The engine has low speed and large torque with low fuel consumption, high operating efficiency and reliability and durability.
- Equipped with hydraulic components of world famous brand, which has more sensitive operation and control, more stable system performance and higher reliability.
- Fuel system can be divided into three stages of filtration. Two stages of oil water separator and one stage of fine filtration have high efficiency and good oil adaptability.
- High strength rotary platform makes strong impact resistance.
- Equipped with mature track idler, carrier roller, track roller, drive gear and track, which makes high bearing capacity, good wear resistance and high reliability.
- Full Vision Cab, It uses fully tempering glass on front windshield and equips with skylight, which is spacious and bright and makes a wider vision.
- The filters are centrally placed in the engine hood, which is convenient and quick to maintain.



DIMENSION

mm

A- Overall Length	6245
B- Overall Width	2250
C- Overall Height (to top of boom)	2500
D- Overall Height (to top of cab)	2600
E- Counterweight Ground Clearance	820
F- Min. Ground Clearance	403
G- Tail Swing Radius	1870
H- Track Grounding Length	2200
J- Track Length	2785
K- Track Gauge	1800
L- Track Width	2250
M- Track Shoe Width	450

WORKING RANGE

mm

O- Max. Digging Height	7130
P- Max. Dumping Height	5010
Q- Max. Digging Depth	4020
R- Max. Vertical Digging Depth	3310
T- Max. Digging Reach	6385
U- Max. Digging Reach at Ground Level	6245

SPECIFICATION

Operating Weight	8.4 (T)
Engine Model	YANMAR 4TNV98T
Rated Power	56.5/2200 (kw/r/min)
Max. Flow	167.7 (L/min)
Working Pressure	31 (Mpa)
Travel Speed	3.6/5.3 (Km/h)
Swing Speed	11.5 (r/min)
Bucket Capacity	0.34 (m ³)
Fuel Tank Capacity	135 (L)
Hydraulic Oil Tank Cap.	130 (L)
Max. Gradeability	70%/35°
Ground Pressure	40 (Kpa)
Arm Digging Force	38 (KN)
Bucket Digging Force	56 (KN)

CRAWLER HYDRAULIC EXCAVATOR

Type

BE140-8E-CT



**BEST
PERFORMANCE**



**BEST QUALITY
ENGINE**



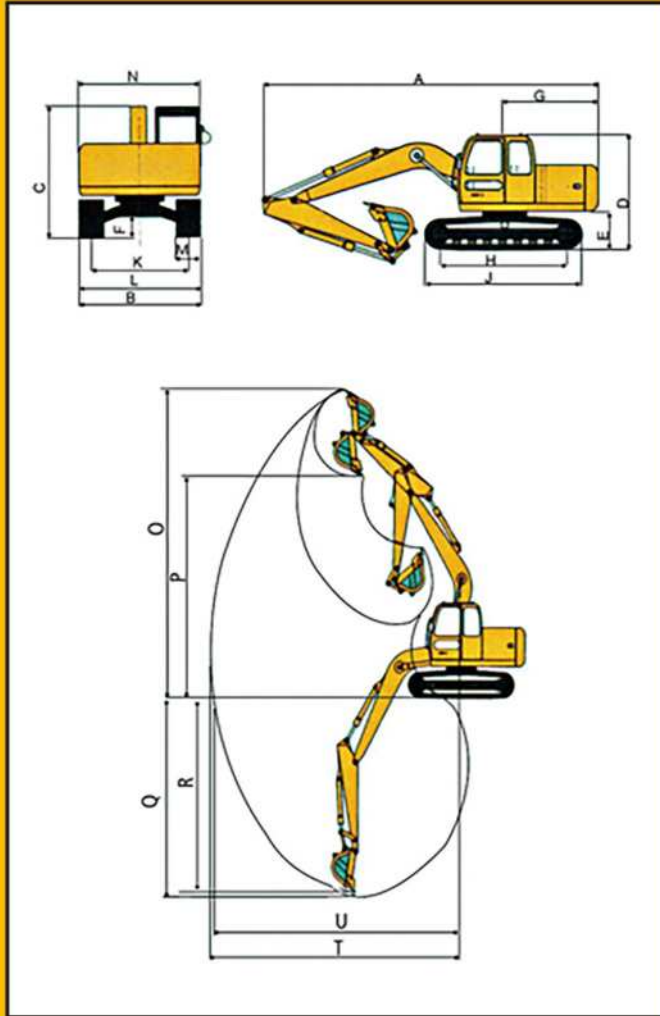
**HIGHT
SAFETY**

**EXTRA WORK,
EXTRA STRONG !**

Using world famous brand **CUMMINS ENGINE** and electronically controlled high-pressure common rail system meet the national three emission standards and have the characteristics of low speed and high torque. It is equipped with a large displacement hydraulic main pump and a control system independently developed by Bomac. The operation efficiency is higher and the fuel economy of the whole machine is effectively improved.

- The world famous brand hydraulic system has more accurate flow distribution, lower system pressure loss, higher system reliability and better overall control.
- High strength working device and rotary mechanism, more coordinated action, stronger shock resistance, stronger adaptability to working conditions and longer service life of the whole machine.

The cab with POPS standard is safer to operate. It is equipped with two stage adjustable suspension seat, silicone oil shock absorber and high power air conditioning, which makes the operation more comfortable.



DIMENSION

mm

A- Overall Length	7910
B- Overall Width	2495
C- Overall Height (to top of boom)	2820
D- Overall Height (to top of cab)	2767
E- Counterweight Ground Clearance	920
F- Min. Ground Clearance	425
G- Tail Swing Radius	2380
H- Track Grounding Length	2930
J- Track Length	3630
K- Track Gauge	1995
L- Track Width	2495
M- Track Shoe Width	500

WORKING RANGE

mm

O- Max. Digging Height	8600
P- Max. Dumping Height	6120
Q- Max. Digging Depth	5455
R- Max. Vertical Digging Depth	4565
T- Max. Digging Reach	8380
U- Max. Digging Reach at Ground Level	8255

SPECIFICATION

Operating Weight	14 (T)
Engine Model	Cummins QSF3.8
Rated Power	86/2200 (kw/r/min)
Max. Flow	126*2 (L/min)
Working Pressure	35/38 (Mpa)
Travel Speed	3.3/5.1 (Km/h)
Swing Speed	11.5 (r/min)
Bucket Capacity	0.56 (m ³)
Fuel Tank Capacity	250 (L)
Hydraulic Oil Tank Cap.	165 (L)
Max. Gradeability	70%/35°
Ground Pressure	42 (Kpa)
Arm Digging Force	74 (KN)
Bucket Digging Force	98 (KN)

CRAWLER HYDRAULIC EXCAVATOR

Type

BE155-8C-CT



**BEST
PERFORMANCE**



**BEST QUALITY
ENGINE**

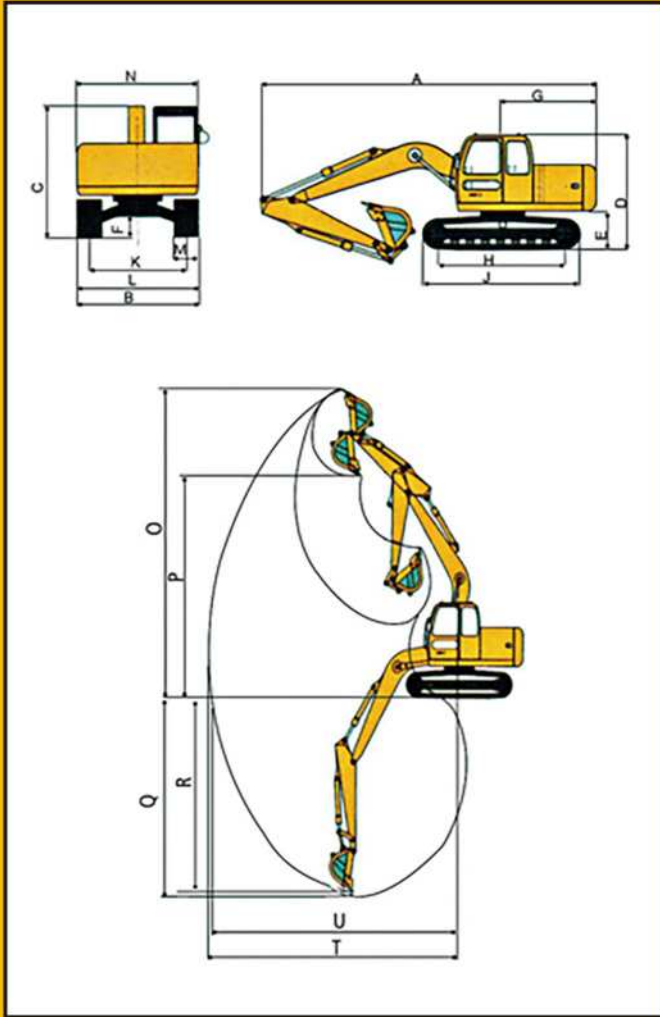


**HIGHT
SAFETY**

**EXTRA WORK,
EXTRA STRONG !**

BE155-8C-CT adopts the original imported **ISUZU ENGINE**, in line with the country's III emission standards, which is a new generation of common rail injection **EFI Engine**. It is customized according to the working conditions of excavator. It has the remarkable characteristics of low speed with high torque, strong power, large power reserve, low fuel consumption and low noise.

- Connecting rod and rocker adopt special process. The working devices optimize stress distribution in an all-round way, which greatly improves reliability. Boom and arm adopt cast axle seats, which is quenched and tempered, and has higher wear resistance.
- The long chassis achieves the best stability and lifting ability. X-frame, slewing bearing ring, carrier roller base and drive gear base have excellent anti-distortion ability, high strength and lower cost.
- The new generation radiator uses positive pressure degassing expansion water tank to improve pump life, to quickly remove the gas in engine and water channel, and reduce rust.
- Large Displacement and High Efficiency Pump, Overall technology upgrading improves work efficiency by 10%.
- New Generation Main ValveThe main pump has more compact layout, less impact, high efficiency, better coordination of action and higher transmission efficiency. The rated working pressure is increased by 10%, which can provide greater excavation force.



DIMENSION

mm

A- Overall Length	7910
B- Overall Width	2495
C- Overall Height (to top of boom)	2820
D- Overall Height (to top of cab)	2767
E- Counterweight Ground Clearance	920
F- Min. Ground Clearance	425
G- Tail Swing Radius	2380
H- Track Grounding Length	2930
J- Track Length	3630
K- Track Gauge	1995
L- Track Width	2495
M- Track Shoe Width	500

WORKING RANGE

mm

O- Max. Digging Height	8600
P- Max. Dumping Height	6120
Q- Max. Digging Depth	5455
R- Max. Vertical Digging Depth	4565
T- Max. Digging Reach	8380
U- Max. Digging Reach at Ground Level	8255

SPECIFICATION

Operating Weight	15.5 (T)
Engine Model	ISUZU 4JJ1XKSC
Rated Power	84/2200 (kw/r/min)
Max. Flow	110*2 (L/min)
Working Pressure	31.4/34.3 (Mpa)
Travel Speed	2.7/5.0 (Km/h)
Swing Speed	12.4 (r/min)
Bucket Capacity	0.56 (m ³)
Fuel Tank Capacity	250 (L)
Hydraulic Oil Tank Cap.	165 (L)
Max. Gradeability	70%/35°
Ground Pressure	42 (Kpa)
Arm Digging Force	69 (KN)
Bucket Digging Force	93.2 (KN)

CRAWLER HYDRAULIC EXCAVATOR

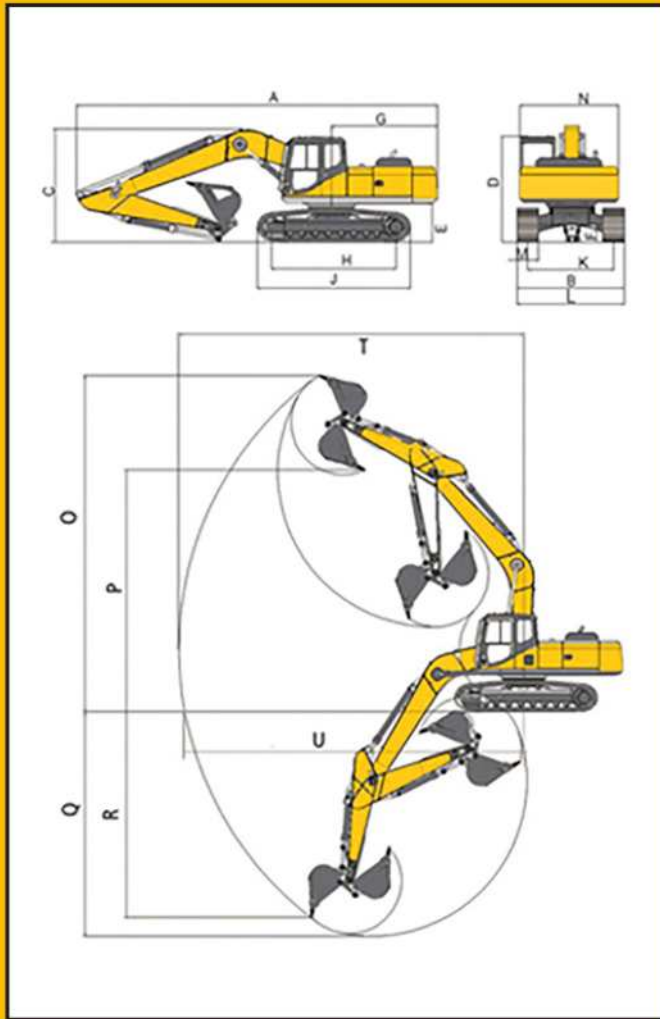
Type

BE155-8C-CT



Adopts the original imported **JAPAN ISUZU ENGINE**. This engine is powerful and sturdy and durable structure with low fuel consumption, which can meet all application requirements. Combining with sturdy and durable components and precision manufacturing processes, has higher reliability and efficiency.

- Original imported low speed high torque **ISUZU ENGINE** which is Bomac special use, in line with emission standards, adopts well-tuned EMS engine management technology to achieve a balance of fuel consumption and efficiency, strong power, economic and environmental protection.
- Double pump constant power negative flow hydraulic system, automatic sensor control, with regeneration, priority and other functions, more flexible response and strong digging ability.
- The X-shaped lower frame and the reinforced upper frame with a widened chassis make the machine more stable and easily adapt to various working conditions.
- By raising the D-shaped side beam, all supporting structures of the platform are correspondingly heightened, the overall strength and rigidity are improved, and the service life is greatly improved.
- Adopt parallel radiators to ensure that each radiator has a larger heat dissipation area, meet the heat dissipation requirements under high temperature operation, and work more stable.
- The cab is spacious, sealed, and has good sound insulation; using silicone oil rubber shock absorbers to reduce vibration and shock.
- Equipped with high end shock absorbing seats and automatic air conditioning with air filtration function, providing a comfortable driving environment and meeting ROPS certification.
- Equipped with electronic control system proprietary technology, the whole machine has multiple working modes to adapt to different working conditions, energy saving and high efficiency.



DIMENSION

mm

A- Overall Length	9805
B- Overall Width	2810
C- Overall Height (to top of boom)	3225
D- Overall Height (to top of cab)	3007
E- Counterweight Ground Clearance	1075
F- Min. Ground Clearance	465
G- Tail Swing Radius	2910
H- Track Grounding Length	3280
J- Track Length	4076
K- Track Gauge	2210
L- Track Width	2810
M- Track Shoe Width	600

WORKING RANGE

mm

O- Max. Digging Height	9510
P- Max. Dumping Height	6690
Q- Max. Digging Depth	6120
R- Max. Vertical Digging Depth	4620
T- Max. Digging Reach	9470
U- Max. Digging Reach at Ground Level	9280

SPECIFICATION

Operating Weight	20.8 (T)
Engine Model	ISUZU 4HK1
Rated Power	120/2000 (kw/r/min)
Max. Flow	230*2 (L/min)
Working Pressure	31.4/34.3 (Mpa)
Travel Speed	3.3/5.2 (Km/h)
Swing Speed	10.5 (r/min)
Bucket Capacity	0.8 (m ³)
Fuel Tank Capacity	360 (L)
Hydraulic Oil Tank Cap.	295 (L)
Max. Gradeability	70%/35°
Ground Pressure	48.5 (Kpa)
Arm Digging Force	113 (KN)
Bucket Digging Force	145 (KN)

CRAWLER HYDRAULIC EXCAVATOR

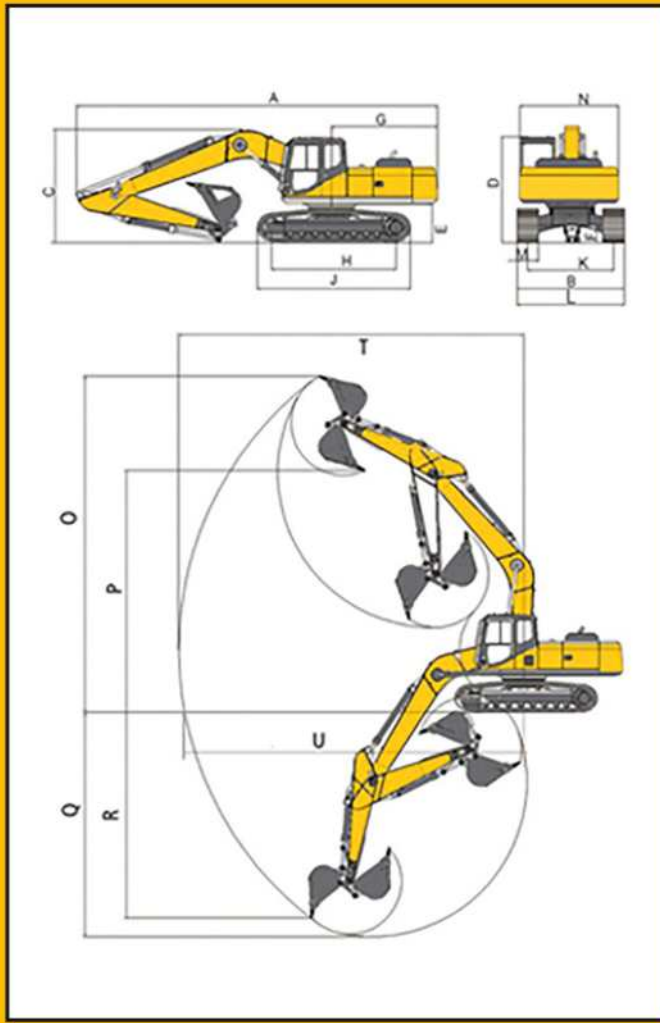
Type

BE225-8C-CT



Adopts the original imported **JAPAN ISUZU ENGINE**. This engine is powerful and sturdy and durable structure with low fuel consumption, which can meet all application requirements. Combining with sturdy and durable components and precision manufacturing processes, this model has higher reliability and efficiency.

- High quality integrated electrical system has higher standard, centralized electrical control has simpler design, and the system is more reliable.
- The working device has high reliability through advanced intelligent optimization design and three dimensional solid modeling design, optimizing the design of the working device box structure.
- New cab with wide view and lower noise, high power air conditioning, better refrigeration effect, integrated control panel, more comfortable to control and more fashionable.
- Family appearance and steady lines make it more atmosphere, the painting is simple and generous, which is high identification, full of power, three dimensional sense, and impressive.
- Low speed and high torque customization, Torque reserve is increased by 15% with technology of common rail injection EFI engine, Fuel utilization increased by 5%.
- The new generation of electrical systems, It increases the engine speed sensory control, makes full use of engine power, and improves product efficiency by 10%.
- Double pump constant power negative flow hydraulic system and automatic sensor control, precise operation, which is economical and can save energy more than 5%.
- Upgrade Bucket Capacity, The work efficiency of the excavator is increased by 8%.



DIMENSION

mm

A- Overall Length	9650
B- Overall Width	2810
C- Overall Height (to top of boom)	3225
D- Overall Height (to top of cab)	3007
E- Counterweight Ground Clearance	1075
F- Min. Ground Clearance	465
G- Tail Swing Radius	2910
H- Track Grounding Length	3280
J- Track Length	4076
K- Track Gauge	2210
L- Track Width	2810
M- Track Shoe Width	600

WORKING RANGE

mm

O- Max. Digging Height	9510
P- Max. Dumping Height	6690
Q- Max. Digging Depth	6120
R- Max. Vertical Digging Depth	4620
T- Max. Digging Reach	9470
U- Max. Digging Reach at Ground Level	9280

SPECIFICATION

Operating Weight	22.5 (T)
Engine Model	ISUZU 4HK1XKSC
Rated Power	133/2000 (kw/r/min)
Max. Flow	230*2 (L/min)
Working Pressure	31.4/34.3 (Mpa)
Main Valve	KYB KVMG-270
Swing Motor	KPM M5X180CHB
Travel Motor	KYB MAG170VP
Fuel Tank Capacity	360 (L)
Hydraulic Oil Tank Cap.	295 (L)
Travel Speed	3.3/5.2 (km/h)
Swing Speed	10.5 (r/min)
Bucket Capacity	1.1 (m ³)
Max. Gradeability	70%
Ground Pressure	47.1 (Kpa)
Arm Digging Force	110 (KN)
Bucket Digging Force	139 (KN)
Hydraulic Pump Model	KPM K3V112DT

CRAWLER HYDRAULIC EXCAVATOR

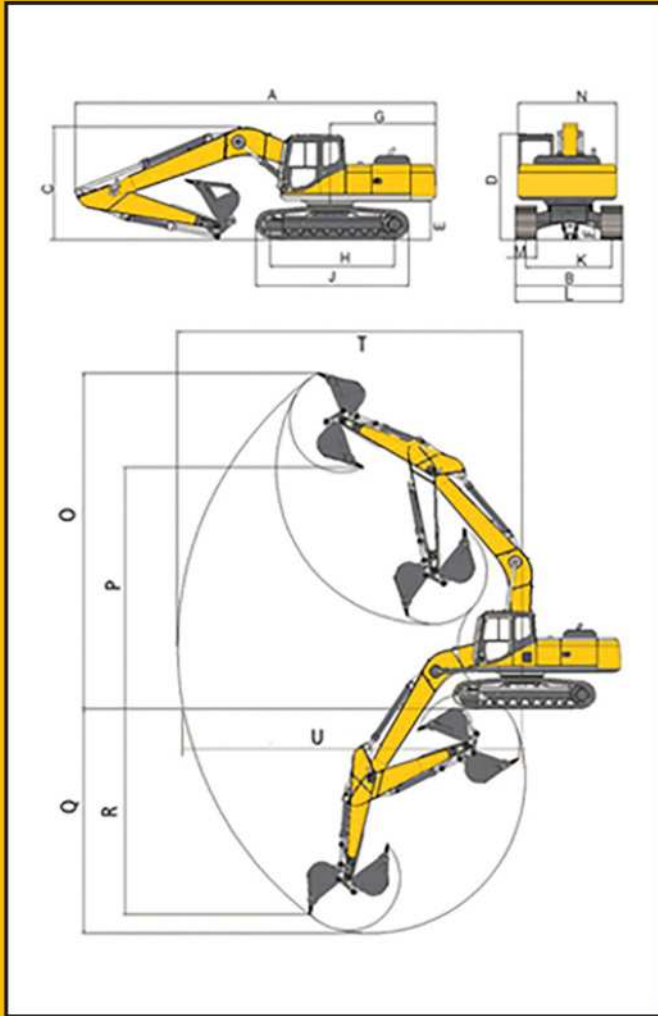
Type

BE225-8E-CT



Adopts the original imported **JAPAN ISUZU ENGINE**. This model has powerful engine and sturdy and durable structure with low fuel consumption, which can meet all application requirements. Combining with sturdy and durable components and precision manufacturing processes, this model has higher reliability and efficiency.

- High quality integrated electrical system, centralized electrical control has simpler design, and the system is more reliable.
- The working device has high reliability through advanced intelligent optimization design and three dimensional solid modeling design, optimizing the design of the working device box structure.
- New cab with wide view and lower noise, high power air conditioning, better refrigeration effect, integrated control panel, more comfortable to control and more fashionable.
- Family appearance and steady lines make it more atmosphere, the painting is simple and generous, which is high identification, full of power, three dimensional sense, and impressive.
- Low speed and high torque customization, Torque reserve is increased by 15% with technology of common rail injection EFI engine, Fuel utilization increased by 5%.
- The new generation of electrical systems, It increases the engine speed sensory control, makes full use of engine power, and improves product efficiency by 10%.
- Double pump constant power negative flow hydraulic system and automatic sensor control, precise operation, which is economical and can save energy more than 5%.



DIMENSION

mm

A- Overall Length	9650
B- Overall Width	2810
C- Overall Height (to top of boom)	3050
D- Overall Height (to top of cab)	3007
E- Counterweight Ground Clearance	1075
F- Min. Ground Clearance	465
G- Tail Swing Radius	2850
H- Track Grounding Length	3480
J- Track Length	4275
K- Track Gauge	2210
L- Track Width	2810
M- Track Shoe Width	600

WORKING RANGE

mm

O- Max. Digging Height	9970
P- Max. Dumping Height	7000
Q- Max. Digging Depth	6622
R- Max. Vertical Digging Depth	5900
T- Max. Digging Reach	9982
U- Max. Digging Reach at Ground Level	9975

SPECIFICATION

Operating Weight	22.5 (T)
Engine Model	ISUZU 4HK1XKSC
Rated Power	133/2000 (kw/r/min)
Max. Flow	233*2 (L/min)
Working Pressure	34.2/36.9 (Mpa)
Fuel Tank Capacity	360 (L)
Hydraulic Oil Tank Cap.	295 (L)
Travel Speed	3.0/4.7 (km/h)
Swing Speed	12.8 (r/min)
Bucket Capacity	1.1 (m ³)
Max. Gradeability	70%/35°
Ground Pressure	52 (Kpa)
Arm Digging Force	110 (KN)
Bucket Digging Force	139 (KN)
Hydraulic Pump Model	KPM K3V112DT

CRAWLER HYDRAULIC EXCAVATOR

Type

BE252-8C-CT



**BEST
PERFORMANCE**



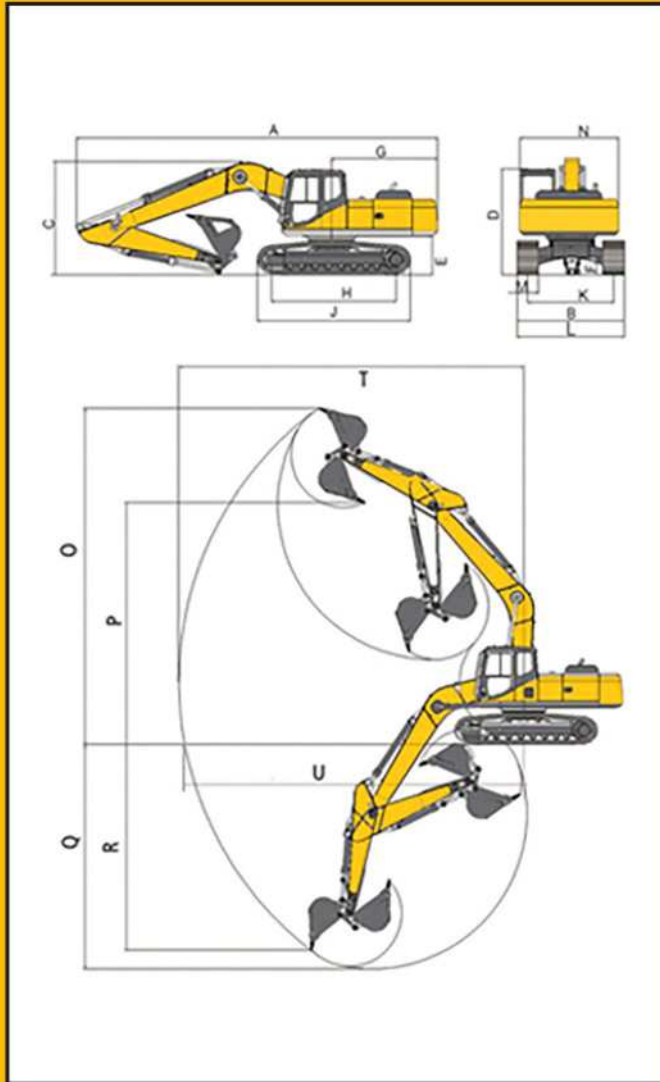
**BEST QUALITY
ENGINE**



**HIGHT
SAFETY**

Adopts the original imported **JAPAN ISUZU ENGINE**, which has more sensitive operation and control, more stable system performance and higher reliability. This model has powerful and sturdy and durable structure with low fuel consumption, which can meet all application requirements. Combining with sturdy and durable components and precision manufacturing processes, this model has higher reliability and efficiency.

- High quality integrated electrical system has higher standard, centralized electrical control has simpler design, and the system is more reliable.
- The working device has high reliability through advanced intelligent optimization design and three dimensional solid modeling design, optimizing the design of the working device box structure.
- New cab with wide view and lower noise, high power air conditioning, better refrigeration effect, integrated control panel, more comfortable to control and more fashionable.
- Family appearance and steady lines make it more atmosphere, the painting is simple and generous, which is high identification, full of power, three dimensional sense, and impressive.
- Low speed and high torque customization, Torque reserve is increased by 15% with technology of common rail injection EFI engine, Fuel utilization increased by 5%.
- The new generation of electrical systems, It increases the engine speed sensory control, makes full use of engine power, and improves product efficiency by 10%.
- Double pump constant power negative flow hydraulic system and automatic sensor control, precise operation, which is economical and can save energy more than 5%.
- Upgrade Bucket Capacity, The work efficiency of the excavator is increased by 8%.



**EXTRA WORK,
EXTRA STRONG !**

DIMENSION

mm

A- Overall Length	10004
B- Overall Width	2915
C- Overall Height (to top of boom)	3205
D- Overall Height (to top of cab)	3007
E- Counterweight Ground Clearance	1075
F- Min. Ground Clearance	470
G- Tail Swing Radius	2945
H- Track Grounding Length	3480
J- Track Length	4256
K- Track Gauge	2375
L- Track Width	2915
M- Track Shoe Width	600
N- Revolving frame width	2736

WORKING RANGE

mm

O- Max. Digging Height	9985
P- Max. Dumping Height	7170
Q- Max. Digging Depth	6525
R- Max. Vertical Digging Depth	6140
T- Max. Digging Reach	10233
U- Max. Digging Reach at Ground Level	10225
V- Min. Swing Radius	3404
X- Distance from Swing Center to Tail	2945
Z- Height of Counterweight	1075
AI- Ground Length (in transportation)	5040

SPECIFICATION

Operating Weight	25.2 (T)	Travel Motor	KYB MAG170VP
Bucket Capacity	1.3 (m ³)	Fuel Tank Capacity	360 (L)
Engine Model	ISUZU 4HK1XKSC	Hydraulic Oil Tank Cap.	295 (L)
Rated Power	133/2000 (kw/r/min)	Travel Speed	3.3/5.2 (km/h)
Hydraulic Pump Model	KPM K3V112DT	Swing Speed	10.5 (r/min)
Max. Flow	230*2 (L/min)	Max. Gradeability	70%
Working Pressure	31.4/34.3 (Mpa)	Arm Digging Force	148 (KN)
Main Valve	KYB KVMG-270	Bucket Digging Force	159 (KN)
Swing Motor	KPM M5X180CHB	Ground Pressure	45 (Kpa)

CRAWLER HYDRAULIC EXCAVATOR

Type

BE252-8E-CT



**BEST
PERFORMANCE**



**BEST QUALITY
ENGINE**

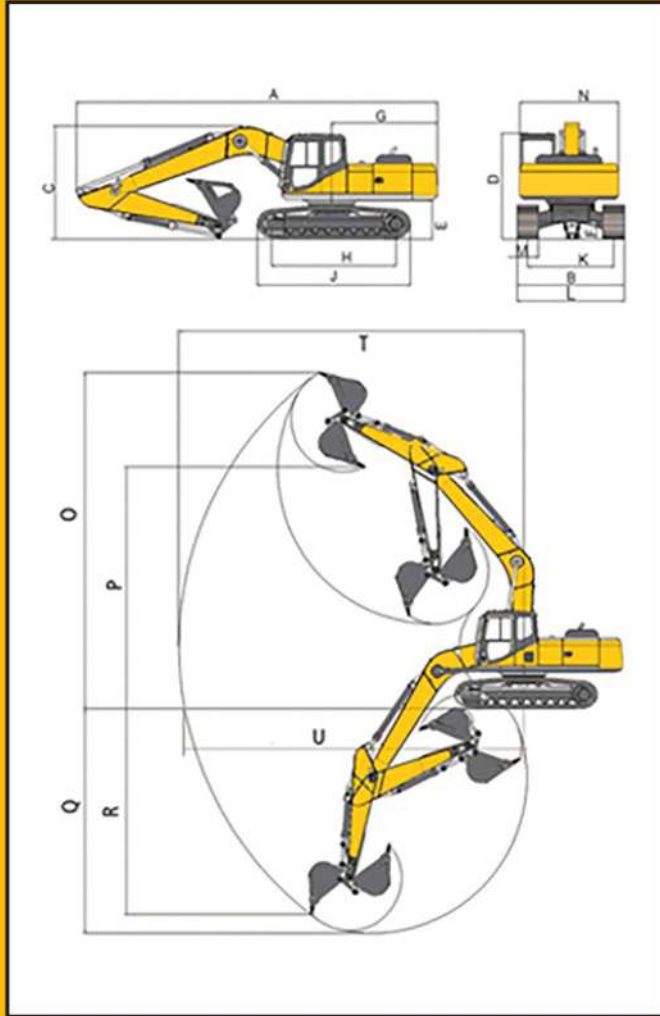


**HIGHT
SAFETY**



Adopts the original imported **JAPAN ISUZU ENGINE**. This model powerful and sturdy and durable structure with low fuel consumption, which can meet all application requirements. Combining with sturdy and durable components and precision manufacturing processes, model has higher reliability and efficiency.

- High quality integrated electrical system has higher standard, centralized electrical control has simpler design, and the system is more reliable.
- The working device has high reliability through advanced intelligent optimization design and three dimensional solid modeling design, optimizing the design of the working device box structure.
- New cab with wide view and lower noise, high power air conditioning, better refrigeration effect, integrated control panel, more comfortable to control and more fashionable.
- Family appearance and steady lines make it more atmosphere, the painting is simple and generous, which is high identification, full of power, three dimensional sense, and impressive.
- Low speed and high torque customization, Torque reserve is increased by 15% with technology of common rail injection EFI engine, Fuel utilization increased by 5%.
- The new generation of electrical systems, It increases the engine speed sensory control, makes full use of engine power, and improves product efficiency by 10%.
- Double pump constant power negative flow hydraulic system and automatic sensor control, precise operation, which is economical and can save energy more than 5%.
- Upgrade Bucket Capacity, The work efficiency of the excavator is increased by 8%.



DIMENSION

mm

A- Overall Length	10100
B- Overall Width	3190
C- Overall Height (to top of boom)	3300
D- Overall Height (to top of cab)	3007
E- Counterweight Ground Clearance	1075
F- Min. Ground Clearance	470
G- Tail Swing Radius	3040
H- Track Grounding Length	3860
J- Track Length	4656
K- Track Gauge	2590
L- Track Width	3190
M- Track Shoe Width	600

WORKING RANGE

mm

O- Max. Digging Height	9950
P- Max. Dumping Height	7130
Q- Max. Digging Depth	6560
R- Max. Vertical Digging Depth	5110
T- Max. Digging Reach	10210
U- Max. Digging Reach at Ground Level	10035

SPECIFICATION

Operating Weight	25.2 (T)
Bucket Capacity	1.3 (m ³)
Engine Model	ISUZU 4HK1XKSC
Rated Power	133/2000 (kw/r/min)
Max. Flow	250*2 (L/min)
Working Pressure	34.2/36.9 (Mpa)
Ground Pressure	53 (Kpa)
Fuel Tank Capacity	360 (L)
Hydraulic Oil Tank Cap.	295 (L)
Travel Speed	3.3/5.2 (km/h)
Swing Speed	10.7 (r/min)
Max. Gradeability	70%/35°
Arm Digging Force	128 (KN)
Bucket Digging Force	169 (KN)

CRAWLER EXCAVATOR

BOMAC
エクストラ ワークス エクストラ ストロンク

Type

BE358-8C-CT



**BEST
PERFORMANCE**



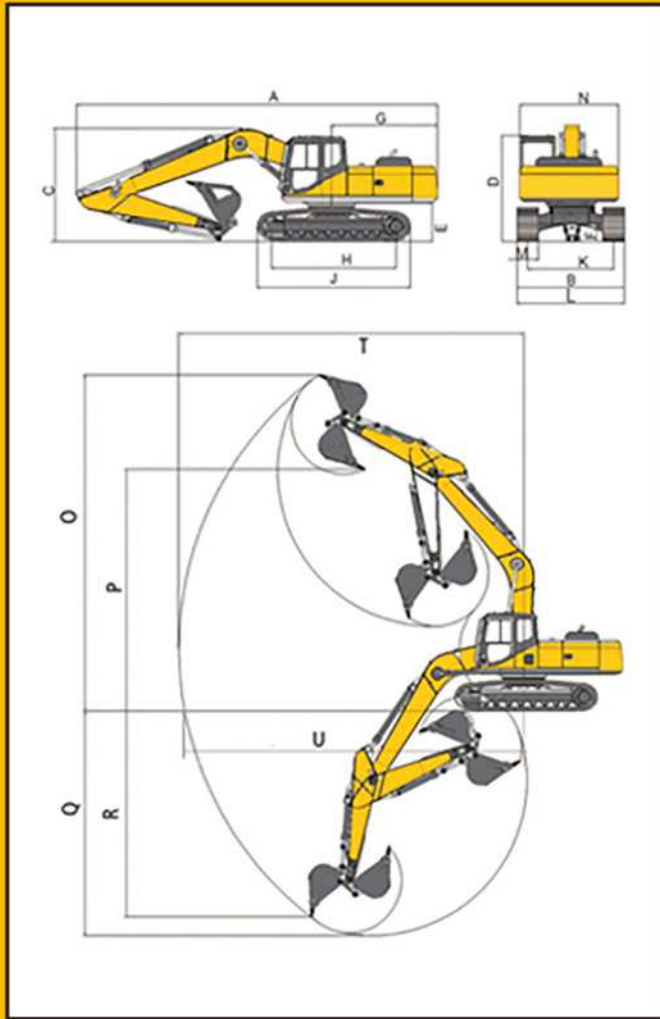
**BEST QUALITY
ENGINE**



**HIGHT
SAFETY**

Utilizing **BOMAC** advanced design concepts and manufacturing technology, we are dedicated to the development of upgraded products suitable for a variety of harsh conditions. This product adopts high end configuration, global procurement, and elaborate manufacturing, which fully guarantees the high reliability and high return rate of the product.

- The original imported Bomac special low-speed high-torque Isuzu engine, in line with the country's III emission standards. Adopts carefully tuned **ISUZU Engine** management technology, with strong power, economical and environmental protection, and high reliability.
- Double pump constant power negative flow system, automatic sensor control, with functions such as regeneration and priority, more flexible response and strong mining ability.
- Equipped with heavy duty boom and mine type stick, with special large flow breaker pipe, it can adapt to harsh mine working conditions and has high working efficiency.
- The X-shaped lower frame and the reinforced upper frame with a widened chassis make the machine more stable and easily adapt to various working conditions.
- The cab is spacious and sealed, with good sound insulation and three sided protection, equipped with high end shock absorbing seats and automatic air conditioning with two stage air filtration, which meets Fops, Tops and Rops certification,
- Equipped with electronic control system, energy saving and high efficiency.
- With self checking, monitoring, emergency fault alarm, GPS positioning and remote monitoring functions, it has good human computer interaction and easy operation and maintenance.
- The standard oil bath air filter has a filtering effect of more than 95% on particles and dust, it is more suitable for the harsh dust working conditions in mines.



DIMENSION

mm

A- Overall Length	1386
B- Overall Width	3190
C- Overall Height (to top of boom)	3410
D- Overall Height (to top of cab)	3125
E- Counterweight Ground Clearance	1220
F- Min. Ground Clearance	500
G- Tail Swing Radius	3565
H- Track Grounding Length	4150
J- Track Length	5080
K- Track Gauge	2590
L- Track Width	3190
M- Track Shoe Width	600

WORKING RANGE

mm

O- Max. Digging Height	10020
P- Max. Dumping Height	7010
Q- Max. Digging Depth	6915
R- Max. Vertical Digging Depth	5170
T- Max. Digging Reach	10715
U- Max. Digging Reach at Ground Level	10515

SPECIFICATION

Operating Weight	35,8 (T)
Bucket Capacity	1.6 (m ³)
Engine Model	ISUZU 6HK1XKSC
Rated Power	212/2000 (kw/r/min)
Max. Flow	300*2 (L/min)
Working Pressure	31.4/34.3 (Mpa)
Ground Pressure	65.3 (Kpa)
Fuel Tank Capacity	590 (L)
Hydraulic Oil Tank Cap.	350 (L)
Travel Speed	3.1/4.8 (km/h)
Swing Speed	10 (r/min)
Max. Gradeability	70%/35°
Arm Digging Force	200 (KN)
Bucket Digging Force	246 (KN)

CRAWLER EXCAVATOR

BOMAC
エクストラ ワークス エクストラ ストロンク

Type

BE382-8C-CT



**BEST
PERFORMANCE**



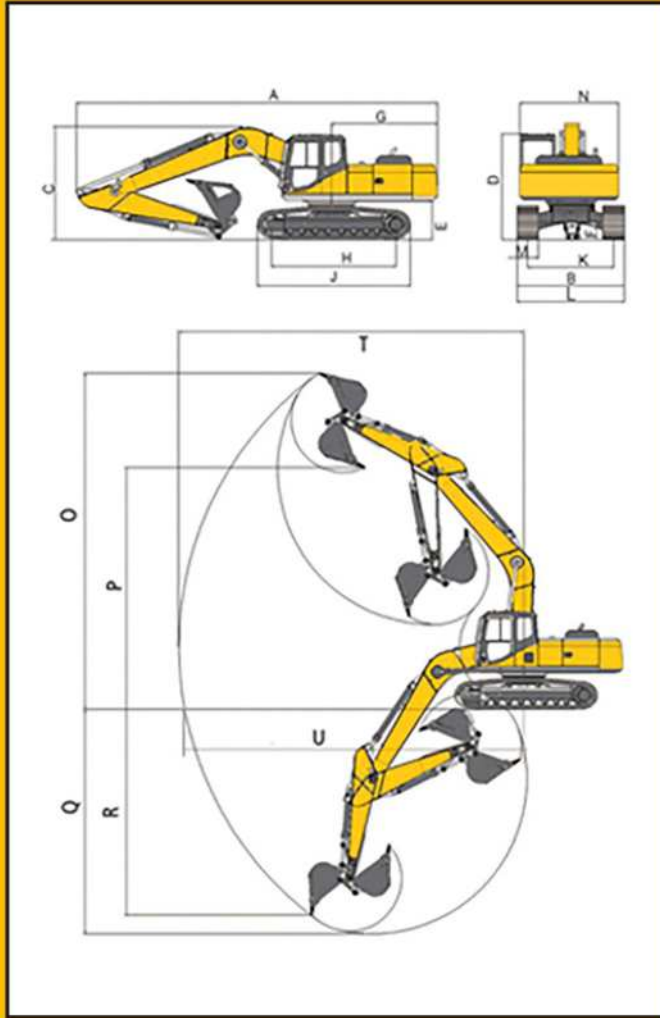
**BEST QUALITY
ENGINE**



**HIGHT
SAFETY**

Utilizing **BOMAC** advanced design concepts and manufacturing technology, we are dedicated to the development of upgraded products suitable for a variety of harsh conditions. This product adopts high end configuration, global procurement, and elaborate manufacturing, which fully guarantees the high reliability and high return rate of the product.

- The original imported Bomac special low-speed high-torque **ISUZU Engine**, in line with the country's III emission standards. Adopts carefully tuned **ISUZU Engine** management technology, with strong power, economical and environmental protection, and high reliability.
- Double pump constant power negative flow system, automatic sensor control, with functions such as regeneration and priority, more flexible response and strong mining ability.
- Equipped with heavy duty boom and mine type stick, with special large flow breaker pipe, it can adapt to harsh mine working conditions and has high working efficiency.
- The X-shaped lower frame and the reinforced upper frame with a widened chassis make the machine more stable and easily adapt to various working conditions.
- The cab is spacious and sealed, with good sound insulation and three sided protection, equipped with high end shock absorbing seats and automatic air conditioning with two stage air filtration, which meets Fops, Tops and Rops certification.
- Equipped with electronic control system, energy saving and high efficiency.
- With self checking, monitoring, emergency fault alarm, GPS positioning and remote monitoring functions, it has good human computer interaction and easy operation and maintenance.
- The standard oil bath air filter has a filtering effect of more than 95% on particles and dust, it is more suitable for the harsh dust working conditions in mines.



DIMENSION

mm

A- Overall Length	11386
B- Overall Width	3190
C- Overall Height (to top of boom)	3410
D- Overall Height (to top of cab)	3125
E- Counterweight Ground Clearance	1220
F- Min. Ground Clearance	500
G- Tail Swing Radius	3565
H- Track Grounding Length	4150
J- Track Length	5080
K- Track Gauge	2590
L- Track Width	3190
M- Track Shoe Width	600

WORKING RANGE

mm

O- Max. Digging Height	10020
P- Max. Dumping Height	7010
Q- Max. Digging Depth	6915
R- Max. Vertical Digging Depth	5170
T- Max. Digging Reach	10715
U- Max. Digging Reach at Ground Level	10515

SPECIFICATION

Operating Weight	38,2 (T)
Bucket Capacity	1.8 (m ³)
Engine Model	ISUZU 6HK1X
Rated Power	212/2000 (kw/r/min)
Max. Flow	300*2 (L/min)
Working Pressure	31.4/34.3 (Mpa)
Ground Pressure	65.3 (Kpa)
Fuel Tank Capacity	590 (L)
Hydraulic Oil Tank Cap.	350 (L)
Travel Speed	3.1/4.8 (km/h)
Swing Speed	10 (r/min)
Max. Gradeability	70%/35°
Arm Digging Force	200 (KN)
Bucket Digging Force	246 (KN)

CRAWLER HYDRAULIC EXCAVATOR

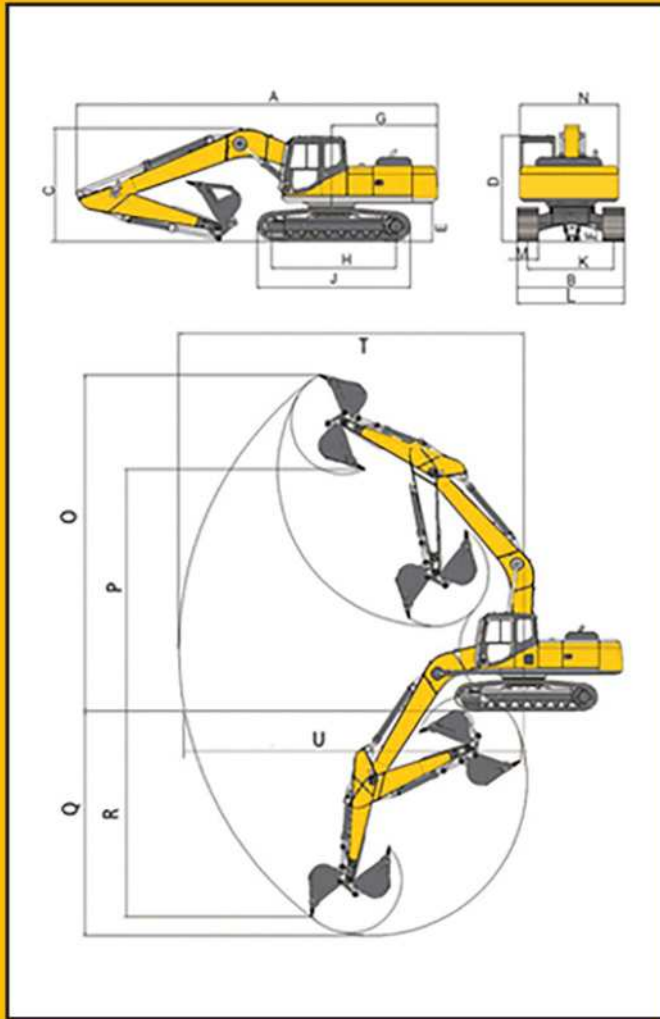
Type

BE495-8C-CT



Utilizing **BOMAC** advanced design concepts and manufacturing technology, we are dedicated to the development of upgraded products suitable for a variety of harsh conditions. This product adopts high end configuration, global procurement, and elaborate manufacturing, which fully guarantees the high reliability and high return rate of the product.

- The original imported low speed and high torque **ISUZU ENGINE** specially used by Bomac heavy industry meets the national three emission standards and adopts carefully adjusted Isuzu engine management technology, which has strong power, economy, environmental protection and high reliability.
- It is equipped with KPM hydraulic pump and rotary motor, KYB multi way valve and traveling motor imported from Japan. It is professionally designed with reinforced traveling device to meet the requirements of mine working conditions, with reliable and stable performance. The full hydraulic pilot control system is flexible and reliable.
- KPM + KYB electronic control independent heat dissipation system, double air filter, air inlet filtration system, walking warning device, rear visual system, etc. meet the requirements of severe working conditions in the mine, with reliable and stable performance.
- The whole machine meets the requirements of CE certification, and the cab meets the requirements of tops\ROPS certification as standard. It has high safety performance, equipped with cold and warm air conditioning, adjustable seats and moderate and high operation,
- The structural parts are designed with large cross section structure, and the boom and stick supports are made of integral steel castings to reduce stress and welded by robots to improve the strength and reliability of structural parts.
- The control system specially developed for **BOMAC** makes full use of the fuel consumption characteristics of the engine and automatically matches the engine speed and hydraulic pump power according to different working conditions. Five different working modes H/S/B/L/g meet the needs of different working conditions and achieve high efficiency and energy saving.



DIMENSION

mm

A- Overall Length	12520
B- Overall Width	3340
C- Overall Height (to top of boom)	3700
D- Overall Height (to top of cab)	3195
E- Counterweight Ground Clearance	1315
F- Min. Ground Clearance	550
G- Tail Swing Radius	4140
H- Track Grounding Length	4470
J- Track Length	5480
K- Track Gauge	2740
L- Track Width	3340
M- Track Shoe Width	600

WORKING RANGE

mm

O- Max. Digging Height	10725
P- Max. Dumping Height	7595
Q- Max. Digging Depth	7385
R- Max. Vertical Digging Depth	6130
T- Max. Digging Reach	11575
U- Max. Digging Reach at Ground Level	11370

SPECIFICATION

Operating Weight	49,5 (T)
Bucket Capacity	2.6 (m ³)
Engine Model	ISUZU 6WG1XKSC
Rated Power	300/1800 (kw/r/min)
Max. Flow	382*2 (L/min)
Working Pressure	31.4/34.3 (Mpa)
Ground Pressure	76.3 (Kpa)
Fuel Tank Capacity	750 (L)
Hydraulic Oil Tank Cap.	430 (L)
Travel Speed	2.88/4.57 (km/h)
Swing Speed	9 (r/min)
Max. Gradeability	70%/35°
Arm Digging Force	239 (KN)
Bucket Digging Force	346 (KN)



BOMAC

エクストラ ワークス エクストラ ストロンク

INDOTARA®

PT. INDOTARA PERSADA

Our Marketing Office and After Sales Service Center

Head Office

50/F, Menara BCA Grand Indonesia
Jl. M.H. Thamrin No.1
Jakarta Pusat 10310
021 - 5011 2224
dhe@indotara.id



Semarang Office

Wisma HSBC Lt. 6 Suite 609
Jl. Gajah Mada No.135
Semarang, Jawa Tengah 50134
024 - 40 300 889
smg.dhe@indotara.id



Marketing Office

APL Tower 6th Floor No. 6 Central Park,
Jl. Letjen S. Parman Kav 28,
Jakarta Barat - 11440
021 - 5011 2224
dhe@indotara.id



Medan Office

Sutomo Tower Lantai 5H
Jl. Sutomo Ujung No.28,
Kota Medan, Sumatera Utara 20235
061 - 50 300 592
mdn.dhe@indotara.id



Graha Indotara

Millenium Industrial Estate
Jl. Millenium 22 Blok R3 No. 1
Cikupa, Tangerang - Banten 15720
021 - 5011 2224
dhe@indotara.id



Makassar Office

Fajar Graha Pena Lt. 5
Jl. Urip Sumoharjo No. 20,
Makassar - South Sulawesi 90234
021 - 5011 2224
mks.dhe@indotara.id



Bandung Office

Wisma HSBC Lt. 6 Suite B
Jl. Asia Afrika No. 116
Bandung, Jawa Barat 40112
021 - 5011 2224
bdg.dhe@indotara.id



Balikpapan Office

Panin Tower Lt. 8 - Grand Sudirman
Jl. Jendral Sudirman No.7 Klandasan Ilir,
Balikpapan Kota, Kalimantan Timur 76114
021 - 5011 2224
bpp.dhe@indotara.id



Surabaya Office

Japfa Indoland Center, Tower I Lt. 10/1008
Jl. Jendral Basuki Rahmat 129-137
Surabaya 60271
031 - 3360 1485
sby.dhe@indotara.id



Bali Office

Benoa Square Lt. 2
Jl. Bypass Ngurah Rai No. 21 A Kedonganan,
Kuta Badung - Bali Indonesia 80361
021 - 5011 2224
bali.dhe@indotara.id



Yogyakarta Office

Hartono Mall Yogyakarta Lt. 3
Kaliwaru, Condongcatur,
Sleman, Yogyakarta 55281
021 - 5011 2224
yog.dhe@indotara.id



Singapore Office

Marina Bay Financial Centre Tower 3
17F, 12 Marina Boulevard
Singapore - 018982
021 - 5011 2224
sing.dhe@indotara.id

